

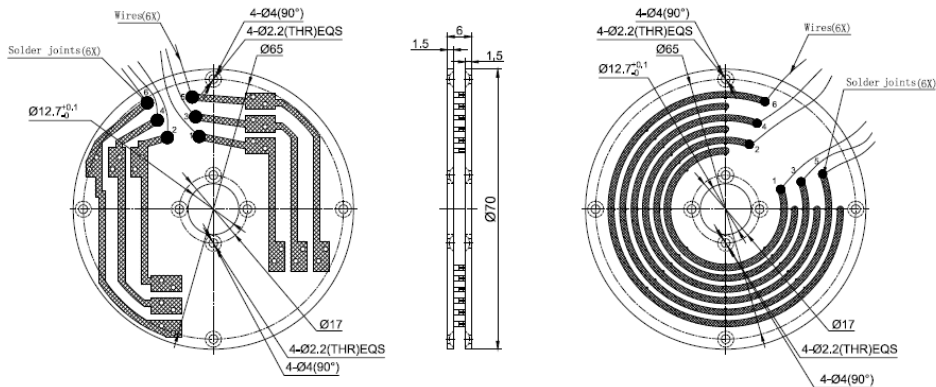
**CTB1200** ultrathin pancake series slip ring, adopt PCB substrate, thickness can up to 5.8 mm, which made of super hard gold plating, super thick copper foil process, maximum current can up to 10A, color-coded lead wires are used on both the stator and rotor for simplified electrical connectors.

## Technical Data

Modele	Rings	Signal or 5A	10A
CTB1200-00P/06S	6	6	0
CTB1200-00P/12S	12	12	0

## DRAWING

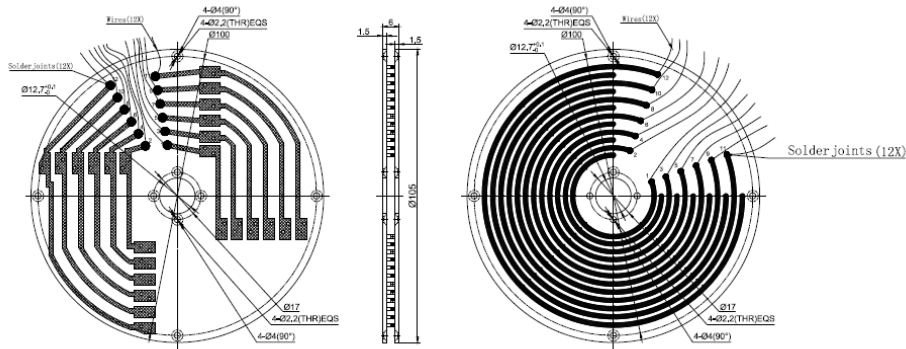
### CTB1200-00P/06S



Dimensions in mm

# DRAWING

CTB1200-00P/12S



Dimensions in mm

## LEAD WIRES COLOR CODE

Ring	1	2	3	4	5	6	7	8	9	10	11	12
Color	BLK	RED	YEL	GRN	BLU	WHT	BLK	RED	YEL	GRN	BLU	WHT

# SPECIFICATIONS

## ELECTRICAL DATA

Parameter	Power	Signal
Rated Voltage	0~440VAC/VDC	0~440VAC/VDC
Insulation Resistance	≥1000MΩ/500VDC	≥1000MΩ/500VDC
Lead Wires	AWG16#Silicone Wire	AWG22#Silicone Wire
Lead Length	Standard 300mm (adjustable)	
Insulation Strength	500VAC@50Hz, 60s	
Electrical Noise	<0,01Ω	

## MECHANICAL DATA

Working Life	See Product Quality Level Table
Rotating Speed	See Product Quality Level Table
Working Temperature	-30°C~80°C
Operating Humidity	0~85% RH
Contact Material	See Product Quality Level Table
Housing Material	Aluminum alloy
Torque	0,01Nm; +0,03Nm/6rings
Protection Grade	IP41

## PRODUCT QUALITY LEVEL TABLE

Products Level Code	Max Rotating Speed	Working Life	Contact Material
S	100RPM	5 Million Revs	Precious Metal
I	300RPM	20 Million Revs	Gold-Gold

# PART NUMBER COMPOSITION

**CTB 1200S - xxP/yyS - 00000 - XXXXX**

① ② ③ ④ ⑤ ⑥ ⑦ ⑧ ⑨ ⑩

- ① Inner Dia
- ② Outer Dia
- ③ Quality Level  
S = Standard  
I = Industrial  
H = High level
- ④ Number of power wires
- ⑤ Number of signal wires
- ⑥ Flange  
00  
01  
..07
- ⑦ Flange Position  
O = No Flange  
R = Rotor  
I = Interior  
S = Stator
- ⑧ Rotor cable length  
0 = 300mm  
1 = 600mm  
2 = 1200mm  
X = Custom
- ⑨ Stator cable length  
0 = 300mm  
1 = 600mm  
2 = 1200mm  
X = Custom
- ⑩ Special Options  
01CAN = CanOpen  
01ECT= Ethercat  
01PRO = Profibus  
01ETH = Giga Ethernet  
IP65 = IP65  
IP68 = IP68

In accordance with our policy of continual product improvement, A2V reserves the right to amend the specification of these products without prior notification