

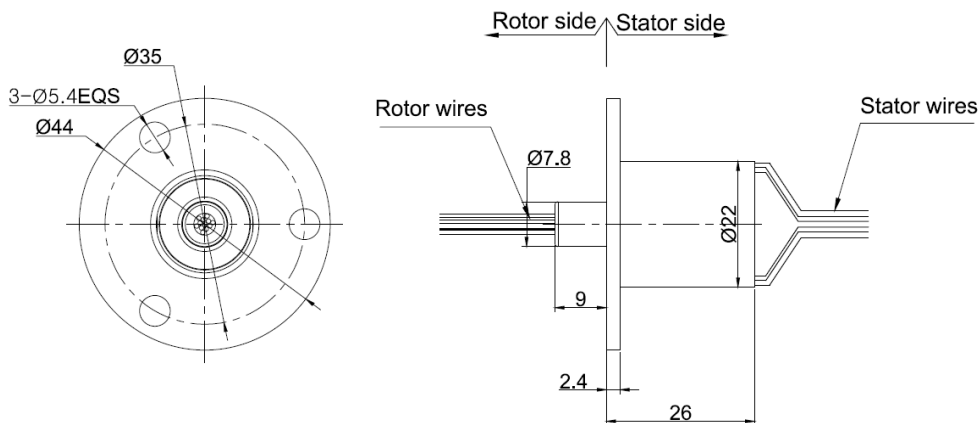
CTC022-12S slip rings are small and compact with OD 22mm * L 26mm, with capsule style, standard, off-the-shelf. Color-coded lead wires are used on both the stator and rotor for simplified electrical connections. Using a 90° V-groove ring design for each ring.

CTC022-12I is the high-end version corresponding to CTC022-12S, It has higher performance and longer working life, higher speed rotating speed, low noise.

Technical Data

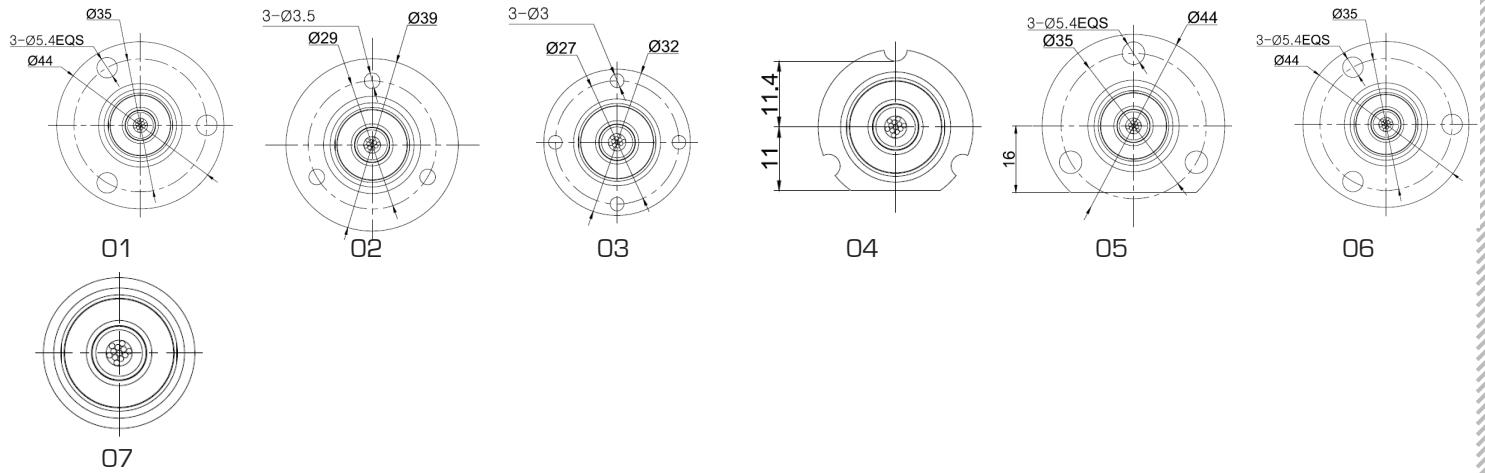
Modele	Lenght	OD	Circuits					Total Wires
	mm	mm	2A/Signals	4A	8A	15A		
CTC022S-00P/12S	26	22	12	0	0	0	12	
CTC022S-03P/06S	26	22	6	3	0	0	9	
CTC022S-02P/02S	26	22	2	0	2	0	4	
CTC022S-00P/03S	26	22	0	0	3	0	3	

DRAWING



Dimensions in mm

FLANGES



LEAD WIRES COLOR CODE

Ring	1	2	3	4	5	6	7	8	9	10	11	12
Color	RED	GRN	YEL	VLT	GRY	BLK	BLU	DB	BRN	ORG	WHT	KHA

SPECIFICATIONS

ELECTRICAL DATA

Parameter	Power	Signal
Rated Voltage	0~220VAC/VDC	0~220VAC/VDC
Insulation Resistance	≥100MΩ/220VDC	≥100MΩ/150VDC
Lead Wires	AWG28#Teflon	AWG28#Teflon
Lead Length	Standard 300mm (adjustable)	
Insulation Strength	500VAC@50Hz, 60s	
Electrical Noise	<0,01Ω	

MECHANICAL DATA

Parameter	Value
Working Life	See Product Quality Level Table
Rotating Speed	See Product Quality Level Table
Working Temperature	-30°C~80°C
Operating Humidity	0~85% RH
Contact Material	See Product Quality Level Table
Housing Material	See Product Quality Level Table
Torque	0,05Nm; +0,01Nm/6rings
Protection Grade	IP51

PRODUCT QUALITY LEVEL TABLE

Products Level Code	Max Rotating Speed	Working Life	Torque	Housing Material	Electrical Noise①@10RPM
S	250RPM	>5 Million Revs	0,02 Nm	Plastics	10mΩ
I	1000RPM	>20 Million Revs	0,005 Nm	Metal	4mΩ

PART NUMBER COMPOSITION

CTC 022S - xxP/yyS - 00000 - XXXXX

①

②

③

④

⑤

⑥

⑦

⑧

⑨

- ① Inner Dia
② Quality Level
S = Standard
I = Industrial

- ③ Number of power wires
④ Number of signal wires
⑤ Flange
00
01
..07

- ⑥ Flange Position
O = No Flange
R = Rotor
I = Interior
S = Stator

- ⑦ Rotor cable length
0 = 300mm
1 = 600mm
2 = 1200mm
X = Custom

- ⑧ Stator cable length
0 = 300mm
1 = 600mm
2 = 1200mm
X = Custom

- ⑨ Special Options
01CAN = CanOpen
01ECT= Ethercat
01PRO = Profibus
01ETH = Giga Ethernet
IP65 = IP65
IP68 = IP68

In accordance with our policy of continual product improvement, A2V reserves the right to amend the specification of these products without prior notification