



CTC025-56S slip rings are small and compact with OD 25mm * L 85.7mm, with capsule style, standard, off-the- shelf. Color-coded lead wires are used on both the stator and rotor for simplified electrical connections. Using a 90° V-groove ring design for each ring.

CTC025-56I is the high-end version corresponding to CTC025-56S, It has higher performance and longer working life, higher speed rotating speed, low noise.

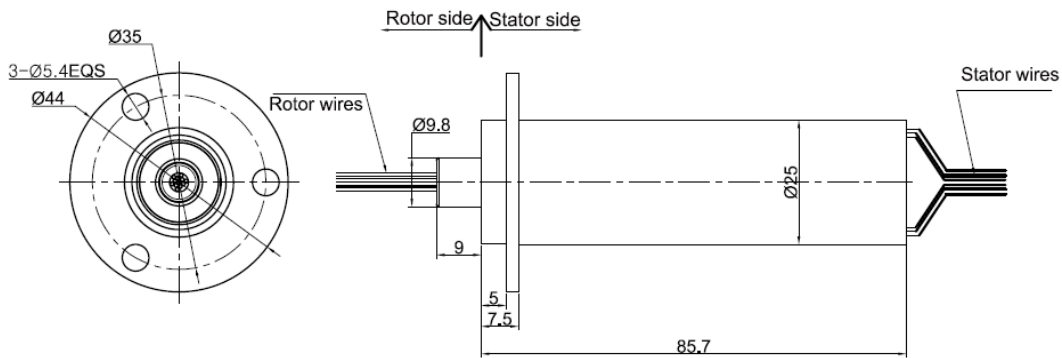
Options for custom slip

- CTC025-56I is the high-end version corresponding to CTC025-56S
- Optional flange mounting.
- Specified connectors and Heat-shrink tube.
- Longer lead lengths available.
- High temperature is optional.
- Military Grade.

Technical Data

Modele	Lenght	OD	Circuits				
	mm	mm	2A/Signals	4A	8A	15A	Total Wires
CTC025S-00P/56S	85,7	25	56	0	0	0	56

DRAWING



Dimensions in mm

LEAD WIRES COLOR CODE												
Ring	1/4	5/8	9/12	13/16	17/20	21/24	25/28	29/32	33/36	37/40	41/44	45/48
Color	RED	GRN	YEL	VLT	GRA	BLK	BLU	D8	BRN	ORN	WHT	KHA
Ring	49/52	53/56										
Color	WHT RED	WHT BLK										

SPECIFICATIONS

ELECTRICAL DATA		
Parameter	Power	Signal
Rated Voltage	0~220VAC/VDC	0~220VAC/VDC
Insulation Resistance	≥100MΩ/220VDC	≥100MΩ/220VDC
Lead Wires	AWG28#Teflon	AWG28#Teflon
Lead Length	Standard 300mm (adjustable)	
Insulation Strength	500VAC@50Hz, 60s	
Electrical Noise	<0,01Ω	

MECHANICAL DATA	
Parameter	Value
Working Life	See Product Quality Level Table
Rotating Speed	See Product Quality Level Table
Working Temperature	-30°C~80°C
Operating Humidity	0~85% RH
Contact Material	See Product Quality Level Table
Housing Material	See Product Quality Level Table
Torque	0,05Nm; +0,01Nm/6rings
Protection Grade	IP51

PRODUCT QUALITY LEVEL TABLE					
Products Level Code	Max Rotating Speed	Working Life	Torque	Housing Material	Electrical Noise①@10RPM
S	250RPM	>4 Million Revs	0,02 Nm	Plastics	10mΩ
I	1000RPM	>15 Million Revs	0,005 Nm	Metal	4mΩ

PART NUMBER COMPOSITION

CTC 025S - xxP/yyS - 00000 - XXXXX

① ② ③ ④ ⑤ ⑥ ⑦ ⑧ ⑨

- ① Inner Dia
- ② Quality Level
S = Standard
I = Industrial
- ③ Number of power wires
- ④ Number of signal wires
- ⑤ Flange
00
01
.07
- ⑥ Flange Position
O = No Flange
R = Rotor
I = Interior
S = Stator
- ⑦ Rotor cable length
0 = 300mm
1 = 600mm
2 = 1200mm
X = Custom
- ⑧ Stator cable length
0 = 300mm
1 = 600mm
2 = 1200mm
X = Custom
- ⑨ Special Options
01CAN = CanOpen
01ECT= Ethercat
01PRO = Profibus
01ETH = Giga Ethernet
IP65 = IP65
IP68 = IP68

In accordance with our policy of continual product improvement, A2V reserves the right to amend the specification of these products without prior notification