



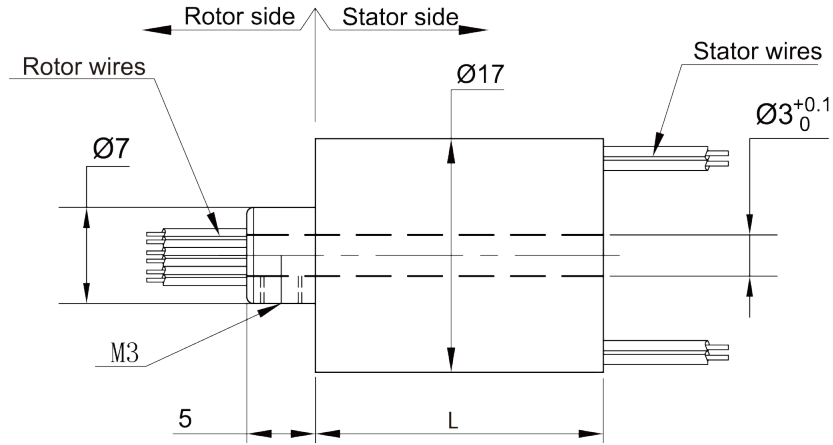
CTH0317 series provides a 3mm through-bore for routing of hydraulic or pneumatic lines or hydraulic or pneumatic rotating shaft installation, and a compact 17mm outside diameter, features long life, fiber brush contact technology for ultimate performance in many challenging applications.

CTH0317 series are standard, off-the-shelf products, Color-coded lead wires are used on both the stator and rotor for simplified electrical connections. It can transmit signal (2A), 5A current when 360° degree free rotating.

Technical Data

Modele	Lenght	Circuits
	mm	2A
CTH0317-00P/02S	13.3	2
CTH0317-00P/03S	21	3
CTH0317-00P/04S	21	4
CTH0317-00P/06S	21	6
CTH0317-00P/08S	21	8

DRAWING



Dimensions in mm

LEAD WIRES COLOR CODE

Ring	1	2	3	4	5	6	7	8
Color	RED	GRN	YEL	WLT	GRY	BLK	BLU	DKBU

SPECIFICATIONS

ELECTRICAL DATA

Parameter	Power	Signal
Rated Voltage	0~240VAC/VDC	0~240VAC/VDC
Insulation Resistance	≥500MΩ/500VDC	≥500MΩ/500VDC
Lead Wires	AWG28#Teflon	
Lead Length	Standard 300mm (adjustable)	
Insulation Strength	500VAC@50Hz, 60s	
Electrical Noise	<0,01Ω	

MECHANICAL DATA

Parameter	Power	Signal
Working Life	10 million revs	
Rotating Speed	Max 250 RPM	
Working Temperature	-30°C~80°C	
Operating Humidity	0~85% RH	
Contact Material	Gold-Gold	
Housing Material	PBT	
Torque	0,05Nm; +0,02Nm/6rings	
Protection Grade	IP51	

PART NUMBER COMPOSITION

CTH 0317S - xxP/yyS - 00000 - XXXXX

- | | | | | |
|---|---|--|--|---|
| <p>① Inner Dia</p> <p>② Outer Dia</p> <p>③ Quality Level
S = Standard
I = Industrial
H = High level</p> | <p>④ Number of power wires</p> <p>⑤ Number of signal wires</p> <p>⑥ Flange
00
01
..07</p> | <p>⑦ Flange Position
O = No Flange
R = Rotor
I = Interior
S = Stator</p> | <p>⑧ Rotor cable length
0 = 300mm
1 = 600mm
2 = 1200mm
X = Custom</p> <p>⑨ Stator cable length
0 = 300mm
1 = 600mm
2 = 1200mm
X = Custom</p> | <p>⑩ Special Options
01CAN = CanOpen
01ECT= Ethercat
01PRO = Profibus
01ETH = Giga Ethernet
IP65 = IP65
IP68 = IP68</p> |
|---|---|--|--|---|

In accordance with our policy of continual product improvement, A2V reserves the right to amend the specification of these products without prior notification