



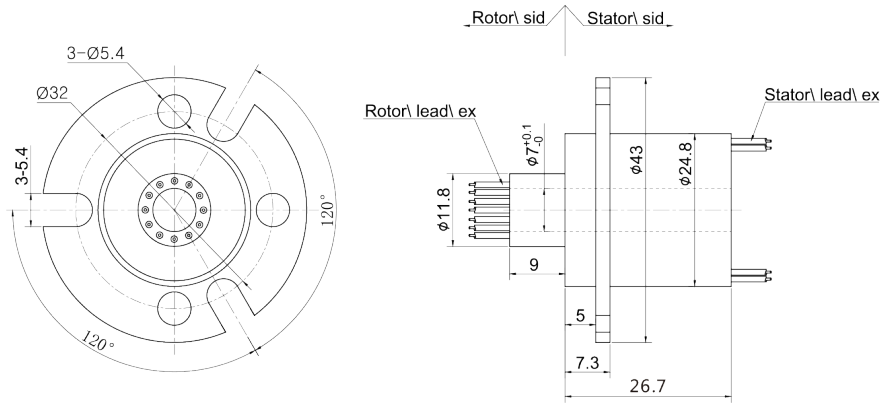
CTH0724 series provides a 7mm through-bore for routing of hydraulic or pneumatic lines or hydraulic or pneumatic rotating shaft installation, and a compact 24.8mm outside diameter, features long life, fiber brush contact technology for ultimate performance in many-challenging applications.

CTH0724 series are standard, off-the-shelf products, Color-coded lead wires are used on both the stator and rotor for simplified electrical connections. It can transmit signal (2A), 5A current when 360° degree free rotating.

Technical Data

Modele	Lenght	Circuits
	mm	2A
CTH0724-00P/02S	26.7	2
CTH0724-00P/04S	26.7	4
CTH0724-00P/06S	26.7	6
CTH0724-00P/08S	26.7	8
CTH0724-00P/10S	26.7	10
CTH0724-00P/12S	26.7	12

DRAWING



Dimensions in mm

LEAD WIRES COLOR CODE

Ring	1	2	3	4	8 wire	1	2	3	4	5	6	7	8
Color	BLK	RED	YEL	GRN			RED	GRN	YEL	PUR	GRA	BLK	BLU

SPECIFICATIONS

ELECTRICAL DATA

Parameter	Power	Signal
Rated Voltage	0~240VAC/VDC	0~240VAC/VDC
Insulation Resistance	≥500MΩ/500VDC	≥500MΩ/500VDC
Lead Wires	AWG28#Teflon	
Lead Length	Standard 300mm (adjustable)	
Insulation Strength	500VAC@50Hz, 60s	
Electrical Noise	<0,01μ	

MECHANICAL DATA

Parameter	Power	Signal
Working Life	10 million revs	
Rotating Speed	Max 250 RPM	
Working Temperature	-30°C~80°C	
Operating Humidity	0~85% RH	
Contact Material	Gold-Gold	
Housing Material	Aluminium Alloy	
Torque	0,05Nm; +0,02Nm/6rings	
Protection Grade	IP51	

PRODUCT QUALITY LEVEL TABLE

Products Level Code	Max Rotating Speed	Working Life	Contact Material
S	250RPM	20 Million Revs	Precious Metal
I	600RPM	60 Million Revs	Gold-Gold

PART NUMBER COMPOSITION

GTH 0724S - xxP/yyS - 00000 - XXXXX

① ② ③ ④ ⑤ ⑥ ⑦ ⑧ ⑨ ⑩

- ① Inner Dia
- ② Outer Dia
- ③ Quality Level
S = Standard
I = Industrial
H = High level
- ④ Number of power wires
- ⑤ Number of signal wires
- ⑥ Flange
00
01
.07
- ⑦ Flange Position
0 = No Flange
R = Rotor
I = Interior
S = Stator
- ⑧ Rotor cable length
0 = 300mm
1 = 600mm
2 = 1200mm
X = Custom
- ⑨ Stator cable length
0 = 300mm
1 = 600mm
2 = 1200mm
X = Custom
- ⑩ Special Options
01CAN = CanOpen
01ECT = Ethercat
01PRO = Profibus
01ETH = Giga Ethernet
IP65 = IP65
IP68 = IP68

In accordance with our policy of continual product improvement, A2V reserves the right to amend the specification of these products without prior notification