



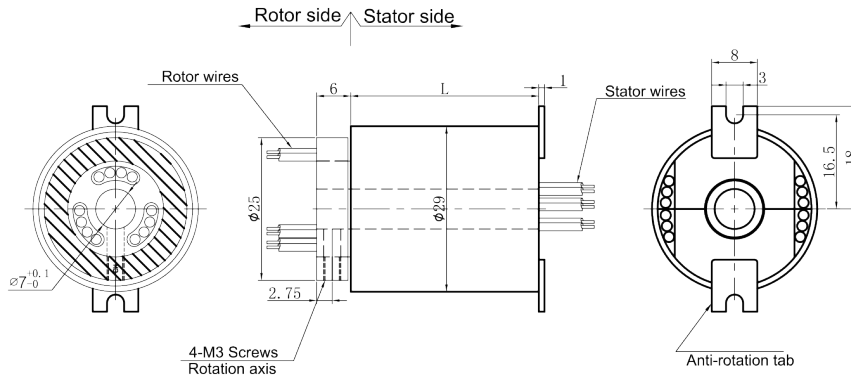
**CTH0729** series provides a 7mm through-bore for routing of hydraulic or pneumatic lines or hydraulic or pneumatic rotating shaft installation, and a compact 29mm outside diameter, features long life, fiber brush contact technology for ultimate performance in many challenging applications.

**CTH0729** series are standard, off-the-shelf products, Color-coded lead wires are used on both the stator and rotor for simplified electrical connections. It can transmit signal [2A], 5A current when 360° degree free rotating.

## Technical Data

Modele	Lenght	Circuits	
	mm	5A	10A
CTH0729-00P/02S	30	2	0
CTH0729-02P/00S	30	0	2
CTH0729-00P/03S	30	3	0
CTH0729-03P/00S	30	0	3
CTH0729-00P/04S	30	4	0
CTH0729-04P/00S	30	0	4
CTH0729-00P/06S	30	6	0
CTH0729-02P/04S	30	4	2
CTH0729-04P/02S	30	2	4
CTH0729-06P/00S	46,8	0	6
CTH0729-00P/12S	46,8	12	0
CTH0729-02P/10S	46,8	10	2
CTH0729-03P/09S	46,8	9	3
CTH0729-04P/08S	46,8	8	4
CTH0729-06P/06S	46,8	6	6
CTH0729-08P/04S	46,8	4	8
CTH0729-10P/02S	46,8	2	10
CTH0729-12P/00S	46,8	0	12

# DRAWING



Dimensions in mm

LEAD WIRES COLOR CODE												
Ring	1	2	3	4	5	6	7	8	9	10	11	12
Color	BLK	RED	YEL	GRN	BLU	WHT	BLK	RED	YEL	GRN	BLU	WHT

## SPECIFICATIONS

ELECTRICAL DATA		
Parameter	Power	Signal
Rated Voltage	0~440VAC/VDC	0~440VAC/VDC
Insulation Resistance	$\geq 600\text{M}\Omega / 500\text{VDC}$	$\geq 1000\text{M}\Omega / 500\text{VDC}$
Lead Wires	AWG22#Teflon	
Lead Length	Standard 300mm (adjustable)	
Insulation Strength	500VAC@50Hz, 60s	
Electrical Noise	<0,01Q	
MECHANICAL DATA		
Parameter	Power	Signal
Working Life	See Product Quality Level Table	
Rotating Speed	See Product Quality Level Table	
Working Temperature	-30°C~80°C	
Operating Humidity	0~85% RH	
Contact Material	See Product Quality Level Table	
Housing Material	Aluminium Alloy	
Torque	0,05Nm; +0,02Nm/6rings	
Protection Grade	IP51	

PRODUCT QUALITY LEVEL TABLE			
Products Level Code	Max Rotating Speed	Working Life	Contact Material
S	250RPM	20 Million Revs	Precious Metal
I	600RPM	60 Million Revs	Gold-Gold

## PART NUMBER COMPOSITION

**CTH 0729S - xxP/yyS - 00000 - XXXXX**

① ② ③ ④ ⑤ ⑥ ⑦ ⑧ ⑨ ⑩

- ① Inner Dia
- ② Outer Dia
- ③ Quality Level  
S = Standard  
I = Industrial  
H = High level
- ④ Number of power wires
- ⑤ Number of signal wires
- ⑥ Flange  
00  
01  
..07
- ⑦ Flange Position  
O = No Flange  
R = Rotor  
I = Interior  
S = Stator
- ⑧ Rotor cable length  
0 = 300mm  
1 = 600mm  
2 = 1200mm  
X = Custom
- ⑨ Stator cable length  
0 = 300mm  
1 = 600mm  
2 = 1200mm  
X = Custom
- ⑩ Special Options  
01CAN = CanOpen  
01ECT= Ethercat  
01PRO = Profibus  
01ETH = Giga Ethernet  
IP65 = IP65  
IP68 = IP68

In accordance with our policy of continual product improvement, A2V reserves the right to amend the specification of these products without prior notification