

CTH120215



CTH120215 series provides a 120mm through-bore for routing of hydraulic or pneumatic lines or hydraulic or pneumatic rotating shaft installation, and a compact 215mm outside diameter, features long life, fiber brush contact technology for ultimate performance in many challenging applications.

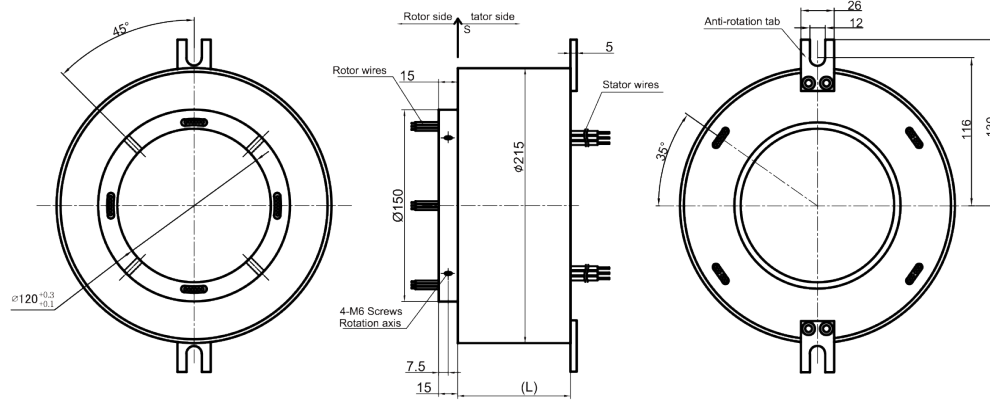
CTH120215 series are standard, off-the-shelf products, Color-coded lead wires are used on both the stator and rotor for simplified electrical connections. It can transmit signal [2A], 10A, multiple 10A current when 360° degree free rotating.

Technical Data

Modele	Lenght	Circuits	
	mm	5A	10A
CTH120215-00P/02S	68	2	0
CTH120215-02P/00S	68	0	2
CTH120215-00P/03S	73	3	0
CTH120215-03P/00S	73	0	3
CTH120215-00P/06S	88	6	0
CTH120215-02P/04S	88	4	2
CTH120215-04P/02S	88	2	4
CTH120215-06P/00S	88	0	6
CTH120215-00P/12S	118	12	0
CTH120215-02P/10S	118	10	2
CTH120215-03P/09S	118	9	3
CTH120215-06P/06S	118	6	6
CTH120215-08P/04S	118	4	8
CTH120215-10P/02S	118	2	10
CTH120215-12P/00S	118	0	12
CTH120215-00P/18S	148	18	0
CTH120215-02P/16S	148	16	2
CTH120215-04P/14S	148	14	4
CTH120215-06P/12S	148	12	6
CTH120215-08P/10S	148	10	8
CTH120215-10P/08S	148	8	10
CTH120215-12P/06S	148	6	12
CTH120215-14P/04S	148	4	14
CTH120215-16P/02S	148	2	16
CTH120215-00P/24S	178	24	0
CTH120215-04P/20S	178	20	4
CTH120215-06P/18S	178	18	6
CTH120215-12P/12S	178	12	12
CTH120215-18P/06S	178	6	18
CTH120215-24P/00S	178	0	24
CTH120215-00P/30S	208	30	0
CTH120215-06P/24S	208	24	6
CTH120215-12P/18S	208	18	12
CTH120215-18P/12S	208	12	18
CTH120215-24P/06S	208	6	24
CTH120215-30P/00S	208	0	30

Modele	Lenght	Circuits	
	mm	5A	10A
CTH120215-00P/36S	243	36	0
CTH120215-06P/30S	243	30	6
CTH120215-12P/24S	243	24	12
CTH120215-36P/00S	243	0	36
CTH120215-00P/42S	273	42	0
CTH120215-06P/36S	273	36	6
CTH120215-12P/30S	273	30	12
CTH120215-00P/48S	303	48	0
CTH120215-06P/42S	303	42	6
CTH120215-09P/39S	303	39	9
CTH120215-12P/36S	303	36	12
CTH120215-18P/30S	303	30	18
CTH120215-24P/24S	303	24	24
CTH120215-00P/60S	363	60	0
CTH120215-06P/54S	363	54	6
CTH120215-09P/51S	363	51	9
CTH120215-12P/48S	363	48	12
CTH120215-00P/72S	428	72	0
CTH120215-06P/66S	428	66	6
CTH120215-12P/60S	428	60	12
CTH120215-24P/48S	428	48	24
CTH120215-36P/36S	428	36	36
CTH120215-00P/84S	488	84	0
CTH120215-12P/72S	488	72	12
CTH120215-24P/60S	488	60	24
CTH120215-36P/48S	488	48	36
CTH120215-00P/96S	548	96	0
CTH120215-12P/84S	548	84	12
CTH120215-24P/72S	548	72	24
CTH120215-36P/60S	548	60	36
CTH120215-42P/54S	548	54	42
CTH120215-00P/108S	613	108	0
CTH120215-12P/96S	613	96	12
CTH120215-24P/84S	613	84	24
CTH120215-36P/72S	613	72	36
CTH120215-48P/60S	613	60	48

DRAWING



Dimensions in mm

LEAD WIRES COLOR CODE

Ring	1	2	3	4	5	6	7	8	9	10	11	12
Color	BLK	RED	YEL	GRN	BLU	WHT	BLK	RED	YEL	GRN	BLU	WHT

SPECIFICATIONS

ELECTRICAL DATA

Parameter	Power	Signal
Rated Voltage	0~690VAC/VDC	0~440VAC/VDC
Insulation Resistance	$\geq 1000\text{M}\Omega / 500\text{VDC}$	$\geq 1000\text{M}\Omega / 500\text{VDC}$
Lead Wires	AWG16#Teflon	AWG22#Teflon
Lead Length	Standard 300mm (adjustable)	
Insulation Strength	1000VAC@50Hz, 60s	
Electrical Noise	<0,01Q	

MECHANICAL DATA

Parameter	Value
Working Life	See Product Quality Level Table
Rotating Speed	See Product Quality Level Table
Working Temperature	-30°C~80°C
Operating Humidity	0~85% RH
Contact Material	See Product Quality Level Table
Housing Material	Aluminium Alloy
Torque	0,1Nm; +0,03Nm/6rings
Protection Grade	IP51

PRODUCT QUALITY LEVEL TABLE

Products Level Code	Max Rotating Speed	Working Life	Contact Material
S	150RPM	10 Million Revs	Precious Metal
I	250RPM	20 Million Revs	Gold-plated

PART NUMBER COMPOSITION

CTH 120215S - xxP/yyS - 00000 - XXXXX

1 2 3 4 5 6 7 8 9 10

- ① Inner Dia
- ② Outer Dia
- ③ Quality Level
S = Standard
I = Industrial
H = High level
- ④ Number of power wires
- ⑤ Number of signal wires
- ⑥ Flange
00
01
..07
- ⑦ Flange Position
O = No Flange
R = Rotor
I = Interior
S = Stator
- ⑧ Rotor cable length
0 = 300mm
1 = 600mm
2 = 1200mm
X = Custom
- ⑨ Stator cable length
0 = 300mm
1 = 600mm
2 = 1200mm
X = Custom
- ⑩ Special Options
01CAN = CanOpen
01ECT = Ethercat
01PRO = Profibus
01ETH = Giga Ethernet
IP65 = IP65
IP68 = IP68

In accordance with our policy of continual product improvement, A2V reserves the right to amend the specification of these products without prior notification