



CTH150248 series provides a 150mm through-bore for routing of hydraulic or pneumatic lines or hydraulic or pneumatic rotating shaft installation, and a compact 248mm outside diameter, features long life, fiber brush contact technology for ultimate performance in many challenging applications.

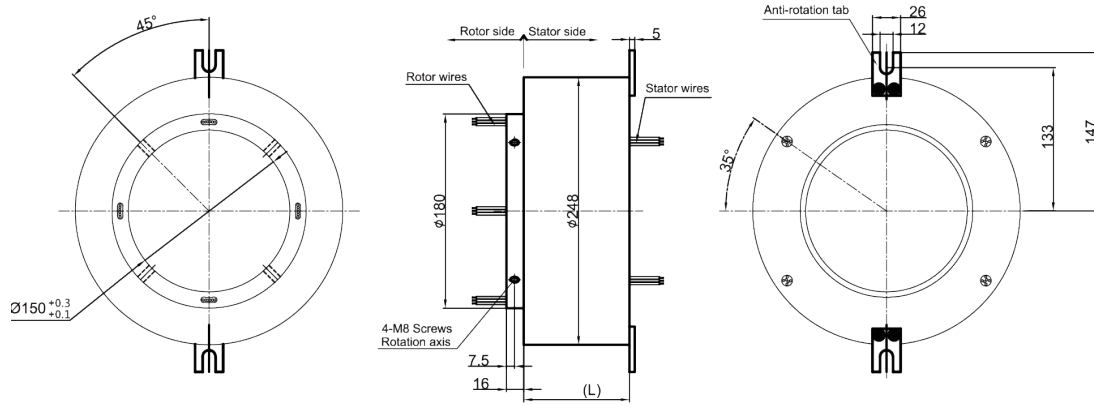
CTH150248 series are standard, off-the-shelf products, Color-coded lead wires are used on both the stator and rotor for simplified electrical connections. It can transmit signal (2A), 10A, multiple 10A current when 360° degree free rotating.

Technical Data

Modele	Lenght	Circuits	
	mm	5A	10A
CTH150248-00P/02S	74	2	0
CTH150248-02P/00S	74	0	2
CTH150248-00P/03S	80	3	0
CTH150248-03P/00S	80	0	3
CTH150248-00P/06S	98	6	0
CTH150248-02P/04S	98	4	2
CTH150248-04P/02S	98	2	4
CTH150248-06P/00S	98	0	6
CTH150248-00P/12S	134	12	0
CTH150248-02P/10S	134	10	2
CTH150248-03P/09S	134	9	3
CTH150248-06P/06S	134	6	6
CTH150248-08P/04S	134	4	8
CTH150248-10P/02S	134	2	10
CTH150248-12P/00S	134	0	12
CTH150248-00P/18S	170	18	0
CTH150248-02P/16S	170	16	2
CTH150248-04P/14S	170	14	4
CTH150248-06P/12S	170	12	6
CTH150248-08P/10S	170	10	8
CTH150248-10P/08S	170	8	10
CTH150248-12P/06S	170	6	12
CTH150248-14P/04S	170	4	14
CTH150248-16P/02S	170	2	16
CTH150248-00P/24S	206	24	0
CTH150248-04P/02S	206	20	4
CTH150248-06P/18S	206	18	6
CTH150248-12P/12S	206	12	12
CTH150248-18P/06S	206	6	18
CTH150248-24P/00S	206	0	24
CTH150248-00P/30S	242	30	0
CTH150248-06P/24S	242	24	6
CTH150248-12P/18S	242	18	12
CTH150248-18P/12S	242	12	18
CTH150248-24P/06S	242	6	24
CTH150248-30P/00S	242	0	30

Modele	Lenght	Circuits	
	mm	5A	10A
CTH150248-00P/36S	284	36	0
CTH150248-06P/30S	284	30	6
CTH150248-12P/24S	284	24	12
CTH150248-36P/00S	284	0	36
CTH150248-00P/42S	320	42	0
CTH150248-06P/36S	320	36	6
CTH150248-12P/30S	320	30	12
CTH150248-00P/48S	356	48	0
CTH150248-06P/42S	356	42	6
CTH150248-09P/39S	356	39	9
CTH150248-12P/36S	356	36	12
CTH150248-18P/30S	356	30	18
CTH150248-24P/24S	356	24	24
CTH150248-00P/60S	428	60	0
CTH150248-06P/54S	428	54	6
CTH150248-09P/51S	428	51	9
CTH150248-12P/48S	428	48	12
CTH150248-00P/72S	506	72	0
CTH150248-06P/66S	506	66	6
CTH150248-12P/60S	506	60	12
CTH150248-24P/48S	506	48	24
CTH150248-36P/36S	506	36	36
CTH150248-00P/84S	578	84	0
CTH150248-12P/72S	578	72	12
CTH150248-24P/60S	578	60	24
CTH150248-36P/48S	578	48	36
CTH150248-00P/96S	650	96	0
CTH150248-12P/84S	650	84	12
CTH150248-24P/72S	650	72	24
CTH150248-36P/60S	650	60	36
CTH150248-42P/54S	650	54	42
CTH150248-00P/108S	728	108	0
CTH150248-12P/96S	728	96	12
CTH150248-24P/84S	728	84	24
CTH150248-36P/72S	728	72	36
CTH150248-48P/60S	728	60	48

DRAWING



Dimensions in mm

LEAD WIRES COLOR CODE

Ring	1	2	3	4	5	6	7	8	9	10	11	12
Color	BLK	RED	YEL	GRN	BLU	WHT	BLK	RED	YEL	GRN	BLU	WHT

SPECIFICATIONS

ELECTRICAL DATA

Parameter	Power	Signal
Rated Voltage	0~690VAC/VDC	0~440VAC/VDC
Insulation Resistance	≥1000MΩ/500VDC	≥100MΩ/500VDC
Lead Wires	AWG16#Teflon	AWG22#Teflon
Lead Length	Standard 300mm (adjustable)	
Insulation Strength	1000VAC@50Hz, 60s	
Electrical Noise	<0,01Ω	

MECHANICAL DATA

Parameter	Power	Signal
Working Life	See Product Quality Level Table	
Rotating Speed	See Product Quality Level Table	
Working Temperature	-30°C~80°C	
Operating Humidity	0~85% RH	
Contact Material	See Product Quality Level Table	
Housing Material	Aluminium Alloy	
Torque	0,1Nm; +0,03Nm/Grings	
Protection Grade	IP51	

PRODUCT QUALITY LEVEL TABLE

Products Level Code	Max Rotating Speed	Working Life	Contact Material
S	150RPM	10 Million Revs	Precious Metal
I	250RPM	20 Million Revs	Gold-Plated

PART NUMBER COMPOSITION

CTH 150248S - xxP/yyS - 00000 - XXXXX

① ② ③ ④ ⑤ ⑥ ⑦ ⑧ ⑨ ⑩

- ① Inner Dia
- ② Outer Dia
- ③ Quality Level
S = Standard
I = Industrial
H = High level
- ④ Number of power wires
- ⑤ Number of signal wires
- ⑥ Flange
00
01
..07
- ⑦ Flange Position
O = No Flange
R = Rotor
I = Interior
S = Stator
- ⑧ Rotor cable length
0 = 300mm
1 = 600mm
2 = 1200mm
X = Custom
- ⑨ Stator cable length
0 = 300mm
1 = 600mm
2 = 1200mm
X = Custom
- ⑩ Special Options
01CAN = CanOpen
01ECT= Ethercat
01PRO = Profibus
01ETH = Giga Ethernet
IP65 = IP65
IP68 = IP68

In accordance with our policy of continual product improvement, A2V reserves the right to amend the specification of these products without prior notification