



CTH250398 series provides a 250mm through-bore for routing of hydraulic or pneumatic lines or hydraulic or pneumatic rotating shaft installation, and a compact 398mm outside diameter, features long life, fiber brush contact technology for ultimate performance in many challenging applications.

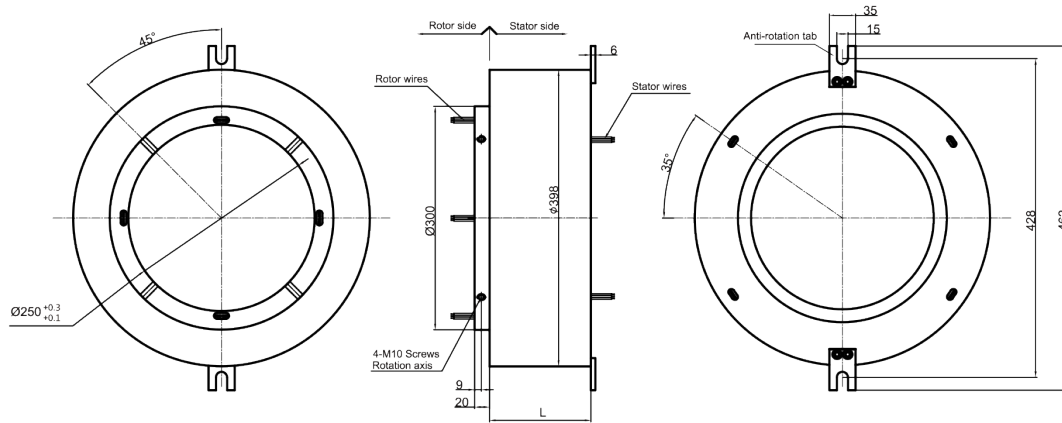
CTH250398 series are standard, off-the-shelf products, Color-coded lead wires are used on both the stator and rotor for simplified electrical connections. It can transmit signal [2A], 10A, multiple 10A current when 360° degree free rotating.

Technical Data

Modele	Lenght mm	Circuits	
		5A	10A
CTH250398-00P/02S	104	2	0
CTH250398-02P/00S	104	0	2
CTH250398-00P/03S	112	3	0
CTH250398-03P/00S	112	0	3
CTH250398-00P/06S	136	6	0
CTH250398-02P/04S	136	4	2
CTH250398-04P/02S	136	2	4
CTH250398-06P/00S	136	0	6
CTH250398-00P/12S	184	12	0
CTH250398-02P/10S	184	10	2
CTH250398-03P/09S	184	9	3
CTH250398-06P/06S	184	6	6
CTH250398-08P/04S	184	4	8
CTH250398-10P/02S	184	2	10
CTH250398-12P/00S	184	0	12
CTH250398-00P/18S	232	18	0
CTH250398-02P/16S	232	16	2
CTH250398-04P/14S	232	14	4
CTH250398-06P/12S	232	12	6
CTH250398-08P/10S	232	10	8
CTH250398-10P/08S	232	8	10
CTH250398-12P/06S	232	6	12
CTH250398-14P/04S	232	4	14
CTH250398-16P/02S	232	2	16
CTH250398-00P/24S	280	24	0
CTH250398-04P/20S	280	20	4
CTH250398-06P/18S	280	18	6
CTH250398-12P/12S	280	12	12
CTH250398-18P/06S	280	6	18
CTH250398-24P/00S	280	0	24
CTH250398-00P/30S	328	30	0
CTH250398-06P/24S	328	24	6
CTH250398-12P/18S	328	18	12
CTH250398-18P/12S	328	12	18
CTH250398-24P/06S	328	6	24
CTH250398-30P/00S	328	0	30

Modele	Lenght mm	Circuits	
		5A	10A
CTH250398-00P/36S	382	36	0
CTH250398-06P/30S	382	30	6
CTH250398-12P/24S	382	24	12
CTH250398-36P/00S	382	0	36
CTH250398-00P/42S	430	42	0
CTH250398-06P/36S	430	36	6
CTH250398-12P/30S	430	30	12
CTH250398-00P/48S	478	48	0
CTH250398-06P/42S	478	42	6
CTH250398-09P/39S	478	39	9
CTH250398-12P/36S	478	36	12
CTH250398-18P/30S	478	30	18
CTH250398-24P/24S	478	24	24
CTH250398-00P/60S	577	60	0
CTH250398-06P/54S	577	54	6
CTH250398-09P/51S	577	51	9
CTH250398-12P/48S	577	48	12
CTH250398-00P/72S	676	72	0
CTH250398-06P/66S	676	66	6
CTH250398-12P/60S	676	60	12
CTH250398-24P/48S	676	48	24
CTH250398-36P/36S	676	36	36
CTH250398-00P/84S	772	84	0
CTH250398-12P/72S	772	72	12
CTH250398-24P/60S	772	60	24
CTH250398-36P/48S	772	48	36
CTH250398-00P/96S	868	96	0
CTH250398-12P/84S	868	84	12
CTH250398-24P/72S	868	72	24
CTH250398-36P/60S	868	60	36
CTH250398-42P/54S	868	54	42
CTH250398-00P/108S	970	108	0
CTH250398-12P/96S	970	96	12
CTH250398-24P/84S	970	84	24
CTH250398-36P/72S	970	72	36
CTH250398-48P/60S	970	60	48

DRAWING



Dimensions in mm

LEAD WIRES COLOR CODE

Ring	1	2	3	4	5	6	7	8	9	10	11	12
Color	BLK	RED	YEL	GRN	BLU	WHT	BLK	RED	YEL	GRN	BLU	WHT

SPECIFICATIONS

ELECTRICAL DATA

Parameter	Power	Signal
Rated Voltage	0~690VAC/VDC	0~440VAC/VDC
Insulation Resistance	$\geq 1000\text{M}\Omega / 500\text{VDC}$	$\geq 1000\text{M}\Omega / 500\text{VDC}$
Lead Wires	AWG16#Teflon	AWG22#Teflon
Lead Length	Standard 300mm (adjustable)	
Insulation Strength	1000VAC@50Hz, 60s	
Electrical Noise	<0,01 Ω	

MECHANICAL DATA

Parameter	Value
Working Life	See Product Quality Level Table
Rotating Speed	See Product Quality Level Table
Working Temperature	-30°C~80°C
Operating Humidity	0~85% RH
Contact Material	See Product Quality Level Table
Housing Material	Aluminium Alloy
Torque	0,1Nm; +0,03Nm/6rings
Protection Grade	IP51

PRODUCT QUALITY LEVEL TABLE

Products Level Code	Max Rotating Speed	Working Life	Contact Material
S	150RPM	10 Million Revs	Precious Metal
I	250RPM	20 Million Revs	Gold-plated

PART NUMBER COMPOSITION

CTH 250398S - xxP/yyS - 00000 - XXXXX

① ② ③ ④ ⑤ ⑥ ⑦ ⑧ ⑨ ⑩

- ① Inner Dia
- ② Outer Dia
- ③ Quality Level
S = Standard
I = Industrial
H = High level

- ④ Number of power wires
- ⑤ Number of signal wires
- ⑥ Flange
00
01
..07

- ⑦ Flange Position
O = No Flange
R = Rotor
I = Interior
S = Stator

- ⑧ Rotor cable length
O = 300mm
1 = 600mm
2 = 1200mm
X = Custom
- ⑨ Stator cable length
O = 300mm
1 = 600mm
2 = 1200mm
X = Custom

- ⑩ Special Options
01CAN = CanOpen
01ECT= Ethercat
01PRO = Profibus
01ETH = Giga Ethernet
IP65 = IP65
IP68 = IP68

In accordance with our policy of continual product improvement, A2V reserves the right to amend the specification of these products without prior notification