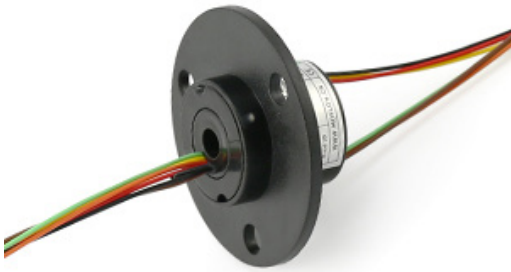


CTC022-06S



CTC022-06S is economical 6 wires slip ring with compact OD 22mm, signal(2A)/ring.

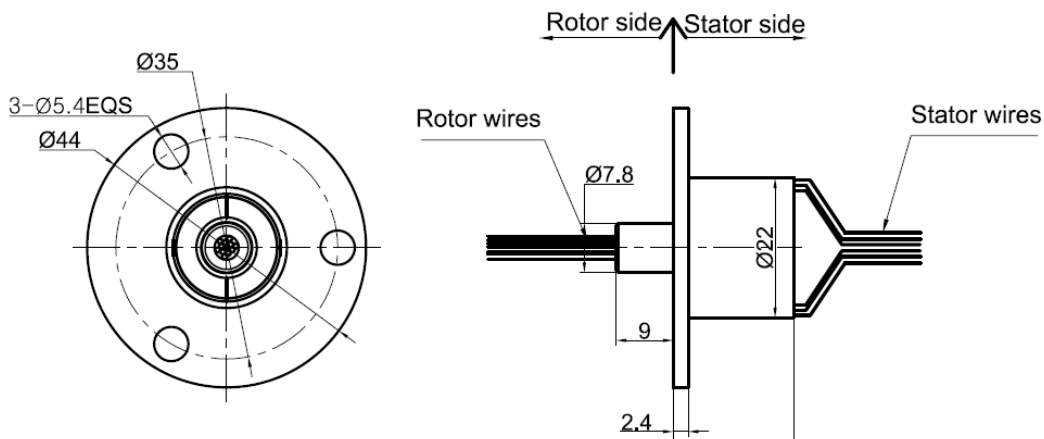
CTC022-06S is standard capsule slip rings with gold-gold contacts, which ensured the stability of the signal transmission and working life, mainly used for civilian, commercial areas.

CTC022-06I is the high-end version corresponding to CTC022-06S, ultra-thick gold-plated, imported bearings, rare metal alloy brushes, mainly used for military, defense and other non-civilian areas.

Technical Data

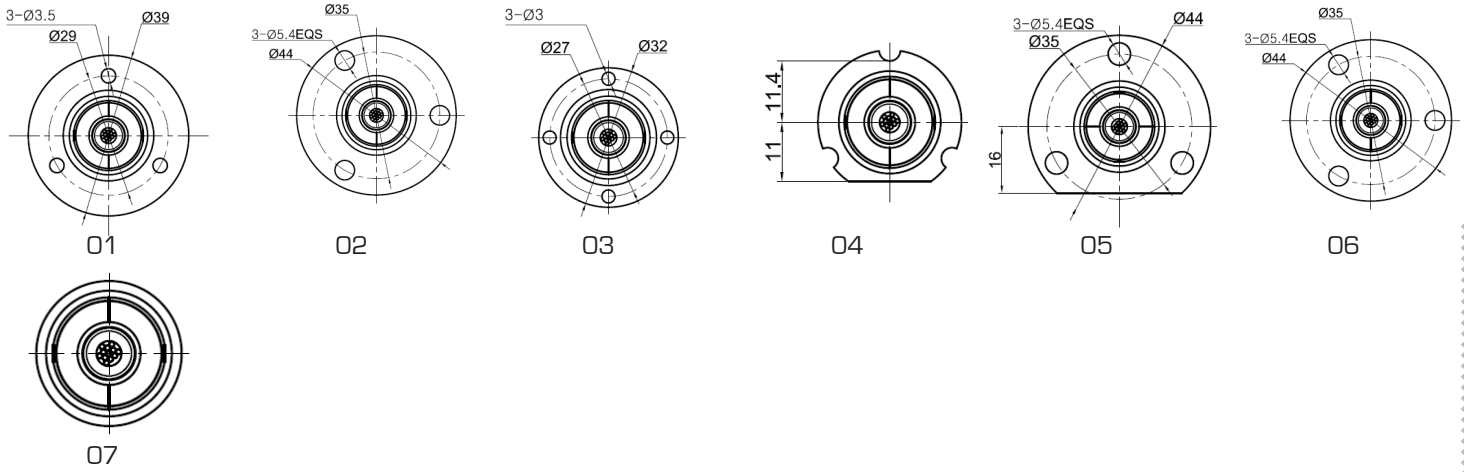
Modele	Lenght	OD	Circuits					Total Wires
	mm	mm	2A/Signals	4A	8A	15A		
CTC022S-00P/06S	19	22	6	0	0	0	6	
CTC022S-03P/02S	19	22	2	2	0	0	4	
CTC022S-03P/00S	19	22	0	3	0	0	3	
CTC022S-01P/02S	19	22	2	0	1	0	3	

DRAWING



Dimensions in mm

FLANGES



LEAD WIRES COLOR CODE						
Ring	1	2	3	4	5	6
Color	BLK	RED	YEL	GRN	BLU	WHT

SPECIFICATIONS

ELECTRICAL DATA		
Parameter	Power	Signal
Rated Voltage	0~220VAC/VDC	0~120VAC/VDC
Insulation Resistance	≥100MΩ/220VDC	≥100MΩ/150VDC
Lead Wires	AWG28#Teflon	AWG28#Teflon
Lead Length	Standard 300mm (adjustable)	
Insulation Strength	500VAC@50Hz, 60s	
Electrical Noise	<0,01Ω	

MECHANICAL DATA	
Parameter	Value
Working Life	See Product Quality Level Table
Rotating Speed	See Product Quality Level Table
Working Temperature	-30°C~80°C
Operating Humidity	0~85% RH
Contact Material	See Product Quality Level Table
Housing Material	See Product Quality Level Table
Torque	0,05Nm; +0,01Nm/6rings
Protection Grade	IP51

PRODUCT QUALITY LEVEL TABLE					
Products Level Code	Max Rotating Speed	Working Life	Torque	Housing Material	Electrical Noise①@10RPM
S	250RPM	>5 Million Revs	0,02 Nm	Plastics	10mΩ
I	1000RPM	>20 Million Revs	0,005 Nm	Metal	4mΩ

PART NUMBER COMPOSITION

CTC 022S - xxP/yyS - 00000 - XXXXX



- ① Inner Dia
- ② Quality Level
S = Standard
I = Industrial
- ③ Number of power wires
- ④ Number of signal wires
- ⑤ Flange
00
01
..07
- ⑥ Flange Position
O = No Flange
R = Rotor
I = Interior
S = Stator
- ⑦ Rotor cable length
0 = 300mm
1 = 600mm
2 = 1200mm
X = Custom
- ⑧ Stator cable length
0 = 300mm
1 = 600mm
2 = 1200mm
X = Custom
- ⑨ Special Options
01CAN = CanOpen
01ECT= Ethercat
01PRO = Profibus
01ETH = Giga Ethernet
IP65 = IP65
IP68 = IP68

In accordance with our policy of continual product improvement, A2V reserves the right to amend the specification of these products without prior notification