



CTC022-24S slip rings are small and compact with OD 22mm * L43.6mm, with capsule style, standard, off-the- shelf. Color-coded lead wires are used on both the stator and rotor for simplified electrical connections. Using a 90° V-groove ring design for each ring.

CTC022I is the high-end version corresponding to CTC022, It has higher performance and longer working life, higher speed rotating speed, low noise.

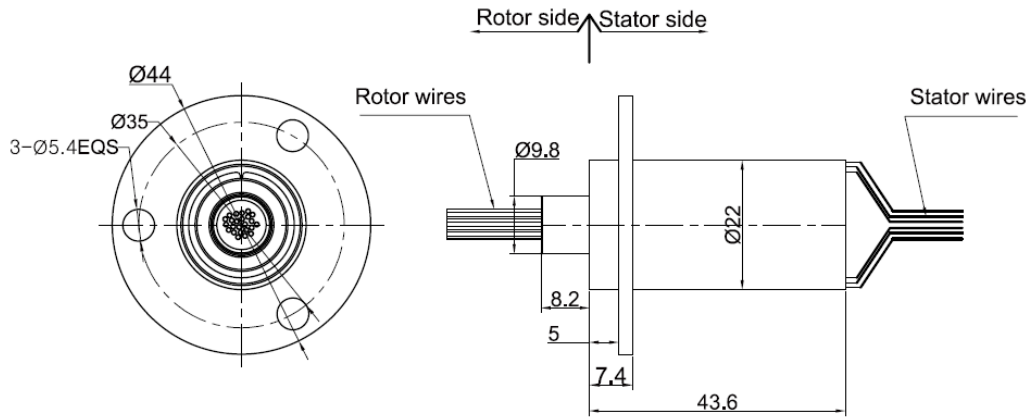
Options for custom slip

- CTC022I is the high-end version corresponding to CTC022S.
- Optional flange mounting.
- Specified connectors and Heat-shrink tube.
- Longer lead lengths available.
- High temperature is optional.
- Military Grade.

Technical Data

Modele	Lenght	OD	Circuits				
	mm	mm	2A/Signals	4A	8A	15A	Total Wires
CTC022S-00P/24S	43,6	22	24	0	0	0	24
CTC022S-03P/18S	43,6	22	18	3	0	0	21
CTC022S-06P/12S	43,6	22	12	6	0	0	18
CTC022S-08P/08S	43,6	22	8	8	0	0	16
CTC022S-05P/08S	43,6	22	8	0	3	2	13
CTC022S-04P/04S	43,6	22	4	0	4	0	8
CTC022S-05P/00S	43,6	22	0	0	5	0	5
CTC022S-02P/06S	43,6	22	6	0	0	2	8
CTC022S-03P/00S	43,6	22	0	0	0	3	3

DRAWING



Dimensions in mm

LEAD WIRES COLOR CODE												
Ring	1	2	3	4	5	6	7	8	9	10	11	12
Color	RED	GRN	YEL	VLТ	GRA	BLK	BLU	DB	BRN	ORA	WHT	KHA
Ring	13	14	15	16	17	18	19	20	21	22	23	24
Color	WHT RED	WHT BLK	WHT BLU	WHT VLT	WHT BRN	WHT GRN	WHT ORN	WHT YEL	WHT GRA	BLK RED	BLK BLU	YEL GRN

SPECIFICATIONS

ELECTRICAL DATA		
Parameter	Power	Signal
Rated Voltage	0~240VAC/VDC	0~240VAC/VDC
Insulation Resistance	≥100MΩ/240VDC	≥100MΩ/240VDC
Lead Wires	AWG28#Teflon	AWG28#Teflon
Lead Length	Standard 300mm (adjustable)	
Insulation Strength	500VAC@50Hz, 60s	
Electrical Noise	<0,01Ω	

MECHANICAL DATA	
Parameter	Value
Working Life	See Product Quality Level Table
Rotating Speed	See Product Quality Level Table
Working Temperature	-30°C~80°C
Operating Humidity	0~85% RH
Contact Material	See Product Quality Level Table
Housing Material	See Product Quality Level Table
Torque	0,05Nm; +0,01Nm/6rings
Protection Grade	IP51

PRODUCT QUALITY LEVEL TABLE					
Products Level Code	Max Rotating Speed	Working Life	Torque	Housing Material	Electrical Noise①@10RPM
S	250RPM	>5 Million Revs	0,02 Nm	Plastics	10mΩ
I	1000RPM	>20 Million Revs	0,005 Nm	Metal	4mΩ

PART NUMBER COMPOSITION

CTC 022S - xxP/yyS - 00000 - XXXXX

① ② ③ ④ ⑤ ⑥ ⑦ ⑧ ⑨

- ① Inner Dia
- ② Quality Level
S = Standard
I = Industrial
- ③ Number of power wires
- ④ Number of signal wires
- ⑤ Flange
00
01
.07
- ⑥ Flange Position
O = No Flange
R = Rotor
I = Interior
S = Stator
- ⑦ Rotor cable length
0 = 300mm
1 = 600mm
2 = 1200mm
X = Custom
- ⑧ Stator cable length
0 = 300mm
1 = 600mm
2 = 1200mm
X = Custom
- ⑨ Special Options
01CAN = CanOpen
01ECT= Ethercat
01PRO = Profibus
01ETH = Giga Ethernet
IP65 = IP65
IP68 = IP68

In accordance with our policy of continual product improvement, A2V reserves the right to amend the specification of these products without prior notification