



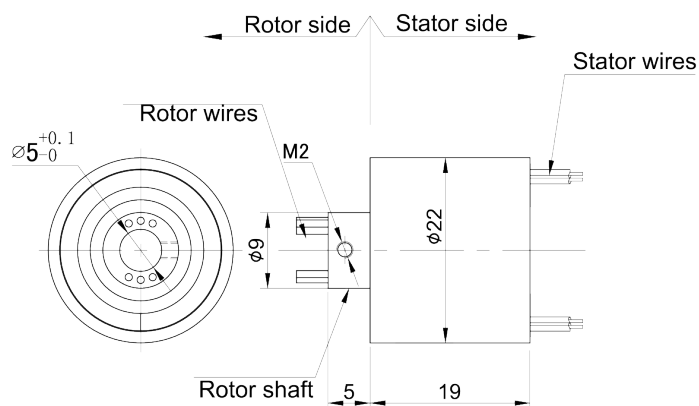
CTH0522 series provides a 5mm through-bore for routing of hydraulic or pneumatic lines or hydraulic or pneumatic rotating shaft installation, and a compact 22mm outside diameter, features long life, fiber brush contact technology for ultimate performance in many challenging applications.

CTH0522 series are standard, off-the-shelf products, Color-coded lead wires are used on both the stator and rotor for simplified electrical connections. It can transmit signal [2A], 5A current when 360° degree free rotating.

Technical Data

Modele	Lenght	Circuits
	mm	2A
CTH0522-00P/02S	19	2
CTH0522-00P/04S	19	4
CTH0522-00P/06S	19	6
CTH0522-00P/08S	30	8
CTH0522-00P/10S	30	10
CTH0522-00P/12S	30	12
CTH0522-00P/15S	30	15

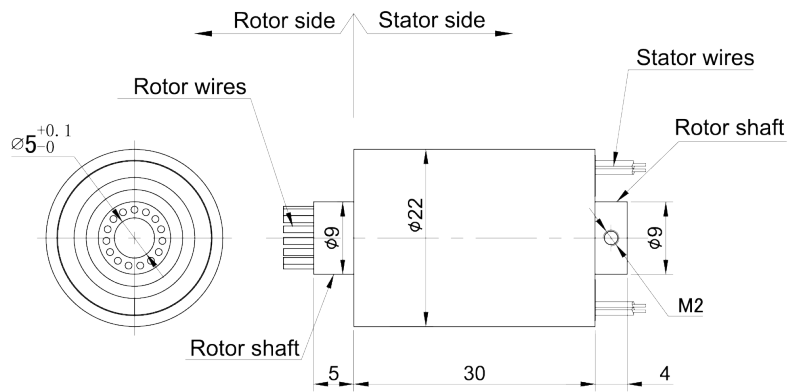
DRAWING



Dimensions in mm

LEAD WIRES COLOR CODE						
Ring	1	2	3	4	5	6
Color	BLK	RED	YEL	GRY	BLU	WHT

DRAWING



Dimensions in mm

LEAD WIRES COLOR CODE

Ring	1	2	3	4	5	6	7	8	9	10	11	12	13	14	15
Color	RED	GRN	YEL	VLT	GRY	BLK	BLU	DKBU	BRN	ORN	WHT	DKYEL	WHT-RED	WHT-BLK	WHT-BLU

SPECIFICATIONS

ELECTRICAL DATA

Parameter	Power	Signal
Rated Voltage	0~240VAC/VDC	0~240VAC/VDC
Insulation Resistance	$\geq 500M\Omega / 500VDC$	$\geq 500M\Omega / 500VDC$
Lead Wires	AWG28# Teflon	
Lead Length	Standard 300mm (adjustable)	
Insulation Strength	500VAC@50Hz, 60s	
Electrical Noise	<0,01 Ω	

MECHANICAL DATA

Parameter	Power	Signal
Working Life	10 million revs	
Rotating Speed	Max 250 RPM	
Working Temperature	-30°C~80°C	
Operating Humidity	0~85% RH	
Contact Material	Gold-Gold	
Housing Material	ABS/Aluminium Alloy	
Torque	0,05Nm; +0,02Nm/6rings	
Protection Grade	IP51	

PRODUCT QUALITY LEVEL TABLE

Products Level Code	Max Rotating Speed	Working Life	Contact Material
S	250RPM	20 Million Revs	Precious Metal
I	600RPM	60 Million Revs	Gold-Gold

PART NUMBER COMPOSITION

GTH 0522S - xxP/yyS - 00000 - XXXXX

① ② ③ ④ ⑤ ⑥ ⑦ ⑧ ⑨ ⑩

- ① Inner Dia
- ② Outer Dia
- ③ Quality Level
S = Standard
I = Industrial
H = High level

- ④ Number of power wires
- ⑤ Number of signal wires
- ⑥ Flange
00
01
.07

- ⑦ Flange Position
0 = No Flange
R = Rotor
I = Interior
S = Stator

- ⑧ Rotor cable length
0 = 300mm
1 = 600mm
2 = 1200mm
X = Custom
- ⑨ Stator cable length
0 = 300mm
1 = 600mm
2 = 1200mm
X = Custom

- ⑩ Special Options
01CAN = CanOpen
01ECT = Ethercat
01PRO = Profibus
01ETH = Giga Ethernet
IP65 = IP65
IP68 = IP68

In accordance with our policy of continual product improvement, A2V reserves the right to amend the specification of these products without prior notification