

CTH210345



CTH210345 series provides a 210mm through-bore for routing of hydraulic or pneumatic lines or hydraulic or pneumatic rotating shaft installation, and a compact 345mm outside diameter, features long life, fiber brush contact technology for ultimate performance in many challenging applications.

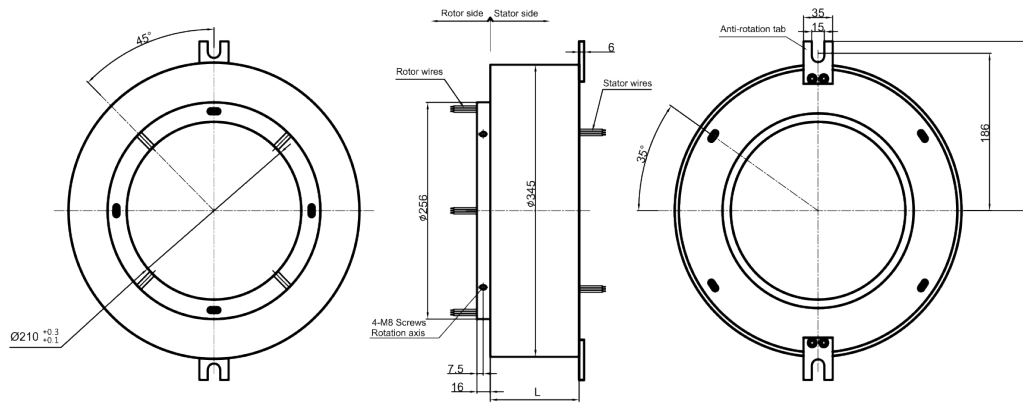
CTH210345 series are standard, off-the-shelf products, Color-coded lead wires are used on both the stator and rotor for simplified electrical connections. It can transmit signal [2A], 10A, multiple 10A current when 360° degree free rotating.

Technical Data

Modele	Lenght	Circuits	
	mm	5A	10A
CTH210345-00P/02S	83	2	0
CTH210345-02P/00S	83	0	2
CTH210345-00P/03S	89	3	0
CTH210345-03P/00S	89	0	3
CTH210345-00P/06S	107	6	0
CTH210345-02P/04S	107	4	2
CTH210345-04P/02S	107	2	4
CTH210345-06P/00S	107	0	6
CTH210345-00P/12S	143	12	0
CTH210345-02P/10S	143	10	2
CTH210345-03P/09S	143	9	3
CTH210345-06P/06S	143	6	6
CTH210345-08P/04S	143	4	8
CTH210345-10P/02S	143	2	10
CTH210345-12P/00S	143	0	12
CTH210345-00P/18S	179	18	0
CTH210345-02P/16S	179	16	2
CTH210345-04P/14S	179	14	4
CTH210345-06P/12S	179	12	6
CTH210345-08P/10S	179	10	8
CTH210345-10P/08S	179	8	10
CTH210345-12P/06S	179	6	12
CTH210345-14P/04S	179	4	14
CTH210345-16P/02S	179	2	16
CTH210345-00P/24S	215	24	0
CTH210345-04P/20S	215	20	4
CTH210345-06P/18S	215	18	6
CTH210345-12P/12S	215	12	12
CTH210345-18P/06S	215	6	18
CTH210345-24P/00S	215	0	24
CTH210345-00P/30S	251	30	0
CTH210345-06P/24S	251	24	6
CTH210345-12P/18S	251	18	12
CTH210345-18P/12S	251	12	18
CTH210345-24P/06S	251	6	24
CTH210345-30P/00S	251	0	30

Modele	Lenght	Circuits	
	mm	5A	10A
CTH210345-00P/36S	293	36	0
CTH210345-06P/30S	293	30	6
CTH210345-12P/24S	293	24	12
CTH210345-36P/00S	293	0	36
CTH210345-00P/42S	329	42	0
CTH210345-06P/36S	329	36	6
CTH210345-12P/30S	329	30	12
CTH210345b-00P/48S	365	48	0
CTH210345-06P/42S	365	42	6
CTH210345-09P/39S	365	39	9
CTH210345-12P/36S	365	36	12
CTH210345-18P/30S	365	30	18
CTH210345-24P/24S	365	24	24
CTH210345-00P/60S	437	60	0
CTH210345-06P/54S	437	54	6
CTH210345-09P/51S	437	51	9
CTH210345-12P/48S	437	48	12
CTH210345-00P/72S	515	72	0
CTH210345-06P/66S	515	66	6
CTH210345-12P/60S	515	60	12
CTH210345-24P/48S	515	48	24
CTH210345-36P/36S	515	36	36
CTH210345-00P/84S	587	84	0
CTH210345-12P/72S	587	72	12
CTH210345-24P/60S	587	60	24
CTH210345-36P/48S	587	48	36
CTH210345-00P/96S	659	96	0
CTH210345-12P/84S	659	84	12
CTH210345-24P/72S	659	72	24
CTH210345-36P/60S	659	60	36
CTH210345-42P/54S	659	54	42
CTH210345-00P/108S	737	108	0
CTH210345-12P/96S	737	96	12
CTH210345-24P/84S	737	84	24
CTH210345-36P/72S	737	72	36
CTH210345-48P/60S	737	60	48

DRAWING



Dimensions in mm

LEAD WIRES COLOR CODE

Ring	1	2	3	4	5	6	7	8	9	10	11	12
Color	BLK	RED	YEL	GRN	BLU	WHT	BLK	RED	YEL	GRN	BLU	WHT

SPECIFICATIONS

ELECTRICAL DATA

Parameter	Power	Signal
Rated Voltage	0~690VAC/VDC	0~440VAC/VDC
Insulation Resistance	$\geq 1000\text{M}\Omega / 500\text{VDC}$	$\geq 1000\text{M}\Omega / 500\text{VDC}$
Lead Wires	AWG16#Teflon	AWG22#Teflon
Lead Length	Standard 300mm (adjustable)	
Insulation Strength	1000VAC@50Hz, 60s	
Electrical Noise	<0,01 Ω	

MECHANICAL DATA

Parameter	Value
Working Life	See Product Quality Level Table
Rotating Speed	See Product Quality Level Table
Working Temperature	-30°C~80°C
Operating Humidity	0~85% RH
Contact Material	See Product Quality Level Table
Housing Material	Aluminium Alloy
Torque	0,1Nm; +0,03Nm/6rings
Protection Grade	IP51

PRODUCT QUALITY LEVEL TABLE

Products Level Code	Max Rotating Speed	Working Life	Contact Material
S	150RPM	10 Million Revs	Precious Metal
I	250RPM	20 Million Revs	Gold-plated

PART NUMBER COMPOSITION

CTH 210345S - xxP/yyS - 00000 - XXXXX

1

- ① Inner Dia
② Outer Dia
③ Quality Level
S = Standard
I = Industrial
H = High level

2

- ④ Number of power wires
⑤ Number of signal wires

3

- ⑥ Flange
00
01
..07

4

- ⑦ Flange Position
O = No Flange
R = Rotor
I = Interior
S = Stator

5

6

- ⑧ Rotor cable length
0 = 300mm
1 = 600mm
2 = 1200mm
X = Custom

7

- ⑨ Stator cable length
0 = 300mm
1 = 600mm
2 = 1200mm
X = Custom

8

10

- ⑩ Special Options
01CAN = CanOpen
01ECT= Ethercat
01PRO = Profibus
01ETH = Giga Ethernet
IP65 = IP65
IP68 = IP68

In accordance with our policy of continual product improvement, A2V reserves the right to amend the specification of these products without prior notification