



**CTH2586** series provides a 25.4mm through-bore for routing of hydraulic or pneumatic lines or hydraulic or pneumatic rotating shaft installation, and a compact 86mm outside diameter, features long life, fiber brush contact technology for ultimate performance in many-challenging applications.

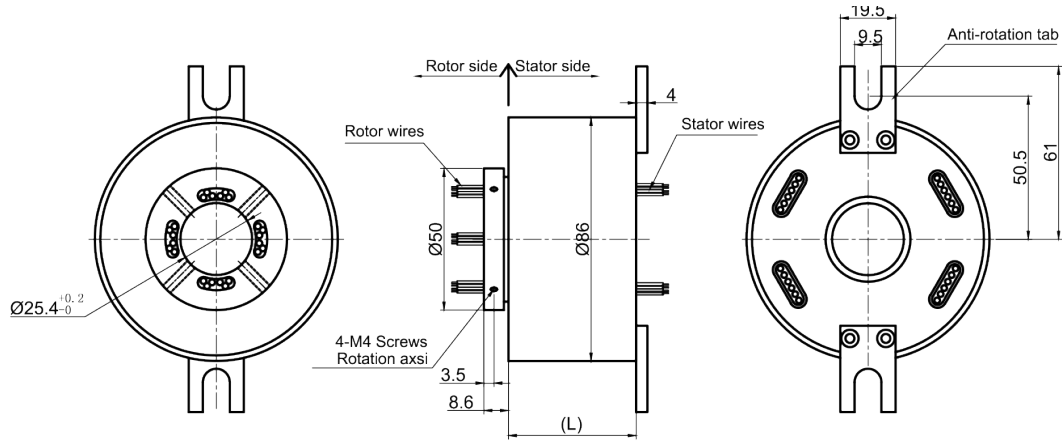
**CTH2586** series are standard, off-the-shelf products. Color-coded lead wires are used on both the stator and rotor for simplified electrical connections. It can transmit signal[2A], 10A, multiple 10A current when 360° degree free rotating.

## Technical Data

Modele	Lenght	Circuits	
	mm	5A	10A
CTH2586-00P/02S	31,6	2	0
CTH2586-02P/00S	31,6	0	2
CTH2586-00P/03S	35	3	0
CTH2586-03P/00S	35	0	3
CTH2586-00P/06S	45,2	6	0
CTH2586-02P/04S	45,2	4	2
CTH2586-04P/02S	45,2	2	4
CTH2586-06P/00S	45,2	0	6
CTH2586-00P/12S	65,6	12	0
CTH2586-02P/10S	65,6	10	2
CTH2586-03P/09S	65,6	9	3
CTH2586-06P/06S	65,6	6	6
CTH2586-08/04S	65,6	4	8
CTH2586-10P/02S	65,6	2	10
CTH2586-12P/00S	65,6	0	12
CTH2586-00P/18S	86	18	0
CTH2586-02P/16S	86	16	2
CTH2586-04P/14S	86	14	4
CTH2586-06P/12S	86	12	6
CTH2586-08P/10S	86	10	8
CTH2586-10P/08S	86	8	10
CTH2586-12P/06S	86	6	12
CTH2586-14P/04S	86	4	14
CTH2586-16P/02S	86	2	16
CTH2586-00P/24S	106,4	24	0
CTH2586-04P/20S	106,4	20	4
CTH2586-06P/18S	106,4	18	6

Modele	Lenght	Circuits	
	mm	5A	10A
CTH2586-12P/12S	106,4	12	12
CTH2586-18P/06S	106,4	6	18
CTH2586-24P/00S	106,4	0	24
CTH2586-00P/30S	126,8	30	0
CTH2586-06P/24S	126,8	24	6
CTH2586-12P/18S	126,8	18	12
CTH2586-18P/12S	126,8	12	18
CTH2586-24P/06S	126,8	6	24
CTH2586-30P/00S	126,8	0	30
CTH2586-00P/36S	150,2	36	0
CTH2586-06P/30S	150,2	30	6
CTH2586-12P/24S	150,2	24	12
CTH2586-36P/00S	150,2	0	36
CTH2586-00P/42S	170,6	42	0
CTH2586-06P/36S	170,6	36	6
CTH2586-12P/30S	170,6	30	12
CTH2586-00P/48S	193,2	48	0
CTH2586-06P/42S	193,2	42	6
CTH2586-09P/39S	193,2	39	9
CTH2586-12P/36S	193,2	36	12
CTH2586-18P/30S	193,2	30	18
CTH2586-24P/24S	193,2	24	24
CTH2586-00P/60S	234	60	0
CTH2586-06P/54S	234	54	6
CTH2586-09P/51S	234	51	9
CTH2586-12P/48S	234	48	12
CTH2586-00P/72S	277,8	72	0

# DRAWING



Dimensions in mm

## LEAD WIRES COLOR CODE

Ring	1	2	3	4	5	6	7	8	9	10	11	12
Color	BLK	RED	YEL	GRN	BLU	WHT	BLK	RED	YEL	GRN	BLU	WHT

# SPECIFICATIONS

## ELECTRICAL DATA

Parameter	Power	Signal
Rated Voltage	0~440VAC/VDC	0~440VAC/VDC
Insulation Resistance	$\geq 1000M\Omega / 500VDC$	$\geq 1000M\Omega / 500VDC$
Lead Wires	AWG16#Teflon	AWG22#Teflon
Lead Length	Standard 300mm (adjustable)	
Insulation Strength	1000VAC@50Hz, 60s	
Electrical Noise	<0,01Q	

## MECHANICAL DATA

Parameter	Value
Working Life	See Product Quality Level Table
Rotating Speed	See Product Quality Level Table
Working Temperature	-30°C~80°C
Operating Humidity	0~85% RH
Contact Material	See Product Quality Level Table
Housing Material	Aluminium Alloy
Torque	0,1Nm; +0,03Nm/6rings
Protection Grade	IP51

## PRODUCT QUALITY LEVEL TABLE

Products Level Code	Max Rotating Speed	Working Life	Contact Material
S	250RPM	20 Million Revs	Precious Metal
I	600RPM	80 Million Revs	Gold-Plated
H	1000RPM	150 Million Revs	Gold-Gold

# PART NUMBER COMPOSITION

**CTH 2586S - xxP/yyS - 00000 - XXXXX**

① ② ③ ④ ⑤ ⑥ ⑦ ⑧ ⑨ ⑩

- ① Inner Dia
- ② Outer Dia
- ③ Quality Level  
S = Standard  
I = Industrial  
H = High level

- ④ Number of power wires
- ⑤ Number of signal wires
- ⑥ Flange  
00  
01  
..07

- ⑦ Flange Position  
O = No Flange  
R = Rotor  
I = Interior  
S = Stator

- ⑧ Rotor cable length  
0 = 300mm  
1 = 600mm  
2 = 1200mm  
X = Custom
- ⑨ Stator cable length  
0 = 300mm  
1 = 600mm  
2 = 1200mm  
X = Custom

- ⑩ Special Options  
01CAN = CanOpen  
01ECT= Ethercat  
01PRO = Profibus  
01ETH = Giga Ethernet  
IP65 = IP65  
IP68 = IP68

In accordance with our policy of continual product improvement, A2V reserves the right to amend the specification of these products without prior notification